

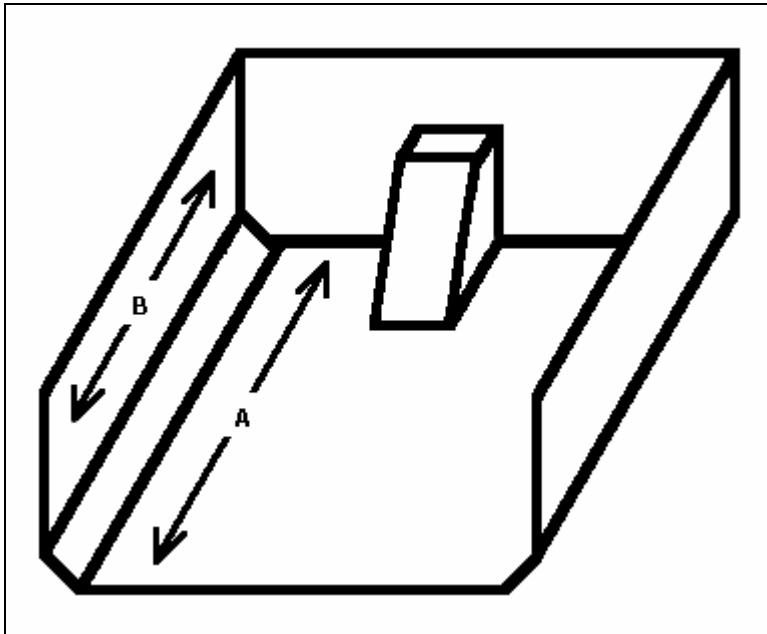


DIMENSION WORKSHEET

Please provide all measurements for the fabrication of your Super-Slide dump body liner. Measurements must be within 1/8" to ensure proper fit. Contact your sales representative if you have any questions regarding this worksheet or measurements.

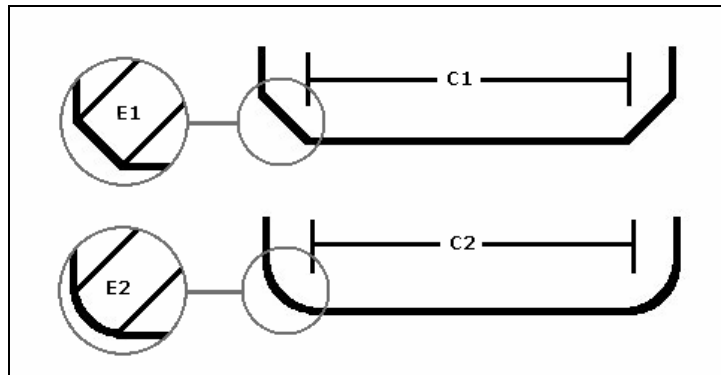
Fargo Phone: 701-282-7447
 Fargo Fax: 701-281-0439

Wisconsin Dells Phone: 608-253-6848
 Wisconsin Dells Fax: 608-253-6750



Dimension A: _____

Dimension B: _____



C1: _____ or C2: _____

E1: _____ or E2: _____