

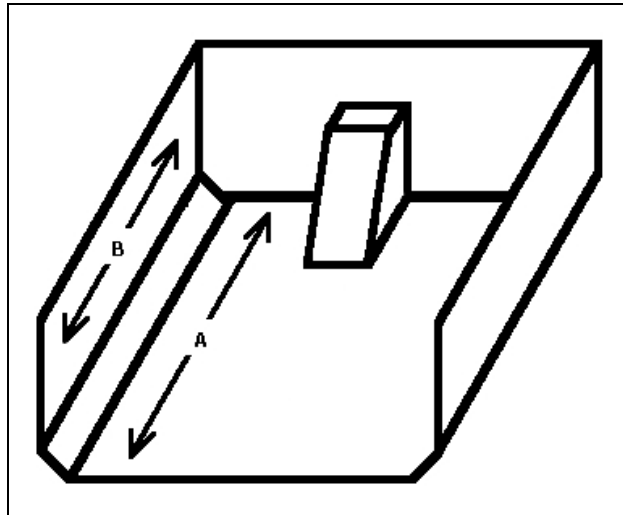


## DIMENSION WORKSHEET

Please provide all measurements for the fabrication of your Super-Slide dump body liner. Measurements must be within 1/8" to ensure proper fit. Contact your sales representative if you have any questions regarding this worksheet or measurements.

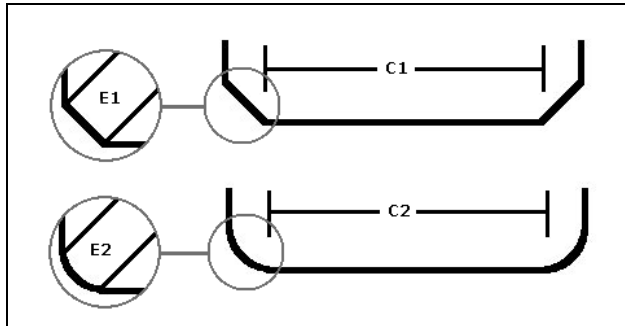
Toll Free: 800-373-7448  
 Boise, ID Fax: 208-376-2224  
 WI Dells, WI Fax: 608-253-6750

Email: [sales@superslide.com](mailto:sales@superslide.com)  
 Fargo, ND Fax: 701-281-0439  
 Katy, TX Fax: 832-437-8274



Dimension B: \_\_\_\_\_

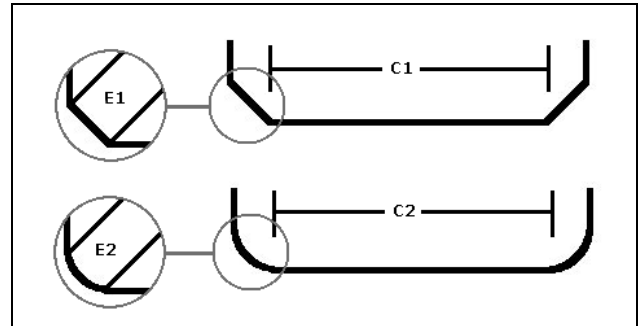
Dimension A: \_\_\_\_\_



**\*FRONT\***

E1: \_\_\_\_\_ and C1: \_\_\_\_\_

E2: \_\_\_\_\_ and C2: \_\_\_\_\_



**\*BACK\***

E1: \_\_\_\_\_ and C1: \_\_\_\_\_

E2: \_\_\_\_\_ and C2: \_\_\_\_\_

Customer Name: \_\_\_\_\_

Customer PO #: \_\_\_\_\_

Type of Liner: \_\_\_\_\_

Liner Dimensions: \_\_\_\_\_